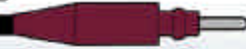




MECCA™

Connectors and Cable Assemblies



Marine & Harsh
Environment
Connectors &
Cable
Assemblies



Our standard rubber molded series consists of a variety of in-line, bulkhead, and penetrator style connectors and cable assemblies. These time-proven designs, introduced in 1959, utilize O-ring technology to seal the connector from high-pressure (20,000 PSI) environments. This family of products is manufactured from high grade Neoprene, stainless steel, and high-grade brass, providing consistent protection and long life in a variety of harsh environments. The product line ranges from single pin to 10 pin configurations, wire gauges from 22 -10 awg, and accommodate current up to 15 amps.

This versatile series is one of our most popular lines with application including; down-hole sensor, lighting, communications, thermistor arrays, hydrophone, sonar, float/retrieval systems, and ROVs.

- Rubber molded**
for flexibility, long life and high durability
- Multiple configurations**
in-line, bulkhead, and pass-through connectors
- Stainless steel bodies**
for harsh environment
- Nickel and gold plated contacts**
for long life and low resistance
- Customized**
Teledyne offers application-specific designs

Teledyne MECCA™ - Designs and manufactures a complete line of Rubber Molded High Pressure cable assemblies and connectors for the Marine and Geophysical industries.



Custom Feed-Through Series



Flat Low Profile Series



Bulkhead Series



Custom Connectors

MECCA™ Harsh Environment Connectors

48-1727



In-Line Cable Plug

Teledyne manufactures a variety of standard sizes of single pin in-line male connectors molded onto harsh environment Neoprene jacketed cable. The most compact version is the M-25, and it is used where only the smallest connector will fit, or for low current applications such as sensors or marine science instrumentation. The M-16 is the most commonly used size, and therefore, more versions in this series are available. The M-10/14 series is larger, and it is ordinarily used for high current applications. Contact the factory for larger and higher capacity versions, such as the M-10 or M-4 series.



48-1726



In-Line Cable Receptacle

Teledyne manufactures a variety of standard sizes of single pin in-line female connectors for mating to in-line plugs or bulkhead connectors. The most compact version is the M-25, and it is used where only the smallest connector will fit, or for low current applications such as sensors or marine science instrumentation. The M-16 is the most commonly used size, and therefore, more versions in this series are available. The M-10/14 series is larger, and it is ordinarily used for high current applications. Contact the factory for larger and higher capacity versions, such as the M-10 or M-4 series.

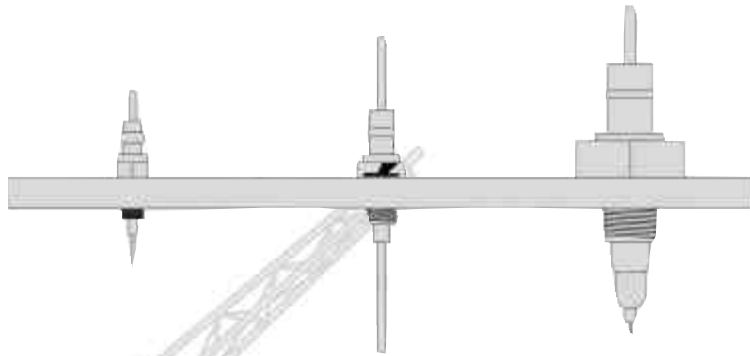


MECCA™ *the Ultimate in Environmental Connectors*



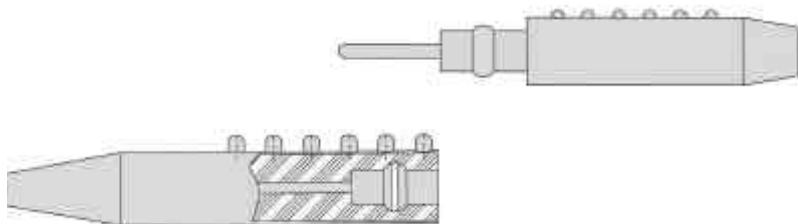
Bulkhead & Feed-Through

Teledyne manufactures a variety of standard sizes of single pin bulkhead male connectors. These bulkhead connectors are designed to seal the device via proven O-ring technology. The electrical contact is pressure rubber molded into the connector body, creating a water-tight seal. The most compact version is the M-25, and it is used where only the smallest connector will fit, or for low current applications such as sensors or marine science instrumentation. The M-16 is the most commonly used size, and therefore, more versions in this series are available. The M-10/14 series is larger, and it is ordinarily used for high current applications. Contact the factory for larger and higher capacity versions, such as the M-10 or M-4 series.



Dummy Plugs & Accessories

Teledyne offers a variety of accessories to support, protect, or extend the capabilities of the standard MECCA series rubber molded products. Dummy plugs are available for both the male and female in-line connector/cable assemblies, as well as bulkhead connectors. Locking sleeves are available for the female in-line cables to thread-lock the in-line cable to the bulkhead connectors.





MECCA™ . . . the ability to endure

Teledyne Interconnect Devices is a fully integrated design house with manufacturing capabilities. Teledyne has engineered SMT and solderless compression connectors (TKC™ and BECON™), Aerospace Power Transfer Switches, Stripall™ Brand Thermal Wire Strippers and a variety of Hi-Rel and harsh environment connectors and cable assemblies. We engineer products to meet your specific applications and requirements.

- Insert Molded Spring connectors
- Hard Drive Motor connectors
- High Density Compression connectors
- Thermal Wire Strippers
- Rubber Molded Marine connectors



Teledyne Interconnect Devices

14020 Stowe Drive
Poway, CA 92064

858-842-2888 (phone)
800-344-4334 (toll free)
858-842-2889 (fax)

For product data and general information,
visit our website at www.teledyneinterconnect.com

For sales and inquiries, email us at interconnectdevices@teledyne.com

Teledyne MECCA™ - your trusted source since 1964